

**BALDOR® • RELIANCE** 

**Product Information Packet**

**CFSWDM3539-E**

**.5HP, 1155RPM, 3PH, 60HZ, 56C, 3522M, TENV, F1**

Part Detail							
Revision:	D	Status:	PRD/A	Change #:		Proprietary:	No
Type:	AC	Elec. Spec:	35WGN468	CD Diagram:	CD0005	Mfg Plant:	
Mech. Spec:	35E4735	Layout:	35LYE4735	Poles:	06	Created Date:	07-28-2017
Base:	RG	Eff. Date:	08-26-2019	Leads:	9#18		

Specs			
Catalog Number:	CFSWDM3539-E	Insulation Class:	H
Enclosure:	TENV	Inverter Code:	Inverter Ready
Frame:	56C	KVA Code:	J
Frame Material:	Stainless Steel	Lifting Lugs:	No Lifting Lugs
Output @ Frequency:	.500 HP @ 60 HZ	Locked Bearing Indicator:	Locked Bearing
Synchronous Speed @ Frequency:	1200 RPM @ 60 HZ	Motor Finish:	UNPAINTED
Voltage @ Frequency:	208.0 V @ 60 HZ	Motor Lead Quantity/Wire Size:	9 @ 18 AWG
	230.0 V @ 60 HZ	Motor Lead Exit:	Ko Box
	460.0 V @ 60 HZ	Motor Lead Termination:	Flying Leads
XP Class and Group:	None	Motor Type:	3522M
XP Division:	Not Applicable	Mounting Arrangement:	F1
Agency Approvals:	UR	Power Factor:	63
	CSA	Product Family:	WD All SS Encapsulated
Auxillary Box:	No Auxillary Box	Pulley End Bearing Type:	Sealed Bearing
Auxillary Box Lead Termination:	None	Pulley Face Code:	C-Face
Base Indicator:	Rigid	Pulley Shaft Indicator:	Standard
Bearing Grease Type:	Polyrex EM (-20F +300F)	Rodent Screen:	None
Blower:	None	RoHS Status:	ROHS COMPLIANT

<b>Current @ Voltage:</b>	.900 A @ 460.0 V	<b>Shaft Extension Location:</b>	Pulley End
	1.800 A @ 230.0 V	<b>Shaft Ground Indicator:</b>	No Shaft Grounding
	1.850 A @ 208.0 V	<b>Shaft Rotation:</b>	Reversible
<b>Design Code:</b>	B	<b>Shaft Slinger Indicator:</b>	No Slinger
<b>Drip Cover:</b>	No Drip Cover	<b>Speed Code:</b>	Single Speed
<b>Duty Rating:</b>	CONT	<b>Motor Standards:</b>	NEMA
<b>Electrically Isolated Bearing:</b>	Not Electrically Isolated	<b>Starting Method:</b>	Direct on line
<b>Feedback Device:</b>	NO FEEDBACK	<b>Thermal Device - Bearing:</b>	None
<b>Front Face Code:</b>	Standard	<b>Thermal Device - Winding:</b>	None
<b>Front Shaft Indicator:</b>	None	<b>Vibration Sensor Indicator:</b>	No Vibration Sensor
<b>Heater Indicator:</b>	No Heater	<b>Winding Thermal 1:</b>	None
		<b>Winding Thermal 2:</b>	None

<b>Nameplate NP1951A01</b>										
<b>CAT.NO.</b>	CFSWDM3539-E									
<b>SPEC.</b>	35E4735N468G1									
<b>HP</b>	.5									
<b>VOLTS</b>	208-230/460									
<b>AMP</b>	1.85-1.8/.9									
<b>RPM</b>	1155									
<b>FRAME</b>	56C				<b>HZ</b>	60			<b>PH</b>	3
<b>SER.F.</b>	1.15		<b>CODE</b>	J	<b>DES</b>	B		<b>CLASS</b>	H	
<b>NEMA-NOM-EFF</b>	77			<b>PF</b>	63					
<b>RATING</b>	40C AMB-CONT									
<b>CC</b>	USABLE AT 208V									
<b>DE</b>	6205				<b>ODE</b>	6205				
<b>ENCL</b>	TENV		<b>SN</b>							
	4:1CT, 10:1VT									

Parts List		
Part Number	Description	Quantity
SA346321	SA 35E4735N468G1	1.000 EA
RA334831	RA 35E4735N468G1	1.000 EA
35CB1012A02	35 MACH MID SECTION - 3 PC. CONDUIT BOX	1.000 EA
10XN1032FS08	HEX HD CAP SCREW 10-32 X 1/2 SS FOOD SAF	3.000 EA
11XW1032G08	10-32 X .50, TAPTITE II, HEX WSHR SLTD U	1.000 EA
HW3001B02	BRASS CUP WASHER W/GROUND SYMBOL TAB,	1.000 EA
35EP1940A03	FRONT TENV 205 BRG (STAINLESS)	1.000 EA
RM1070A25	O-RING, VITON/FKM .070CS X 6.190ID	1.000 EA
HA4054	SHORT T-DRAIN FITTING, .125" N.P.T.	1.000 EA
HW4500S33	1/8 NPT STAINLESS #304 SS PLUG	3.000 EA
HW5100A05	WVY WSHR F/205 & 304 BRGS	1.000 EA
35EP1935A02	PULLEY 56C/143-5TC ENCL 205 BRG	1.000 EA
RM1070A25	O-RING, VITON/FKM .070CS X 6.190ID	1.000 EA
HW4600G01	.984X1.499X.25 VITON SLICK SERIES LIP	1.000 EA
HW4600E99	25 X 42 X 6 AFX SEAL, GRAPHITE INFUSED V	1.000 EA
HW4500S33	1/8 NPT STAINLESS #304 SS PLUG	3.000 EA
HA4054	SHORT T-DRAIN FITTING, .125" N.P.T.	1.000 EA
RM1070A26	O-RING,4.5MM I.D.X1.5MM C.S. (VITON)	4.000 EA
RM1070A81	O-RING, -043 VITON/FKM .070CS X 3.489ID	1.000 EA
35CB1511A01	35-36-37 MACH. LID - 3 PC. CONDUIT BOX	1.000 EA
RM1070A81	O-RING, -043 VITON/FKM .070CS X 3.489ID	1.000 EA
HW2502D13	SS KEY, 3/16 SQ X 1.375	1.000 EA
HA7000A04	KEY RETAINER 0.625 DIA SHAFTS	1.000 EA
MJ5001A27	32220KN GRAY SEALER *MIN BUY 4 QTS=1GAL	0.005 QT

<b>Parts List (continued)</b>		
<b>Part Number</b>	<b>Description</b>	<b>Quantity</b>
MJ5004A93	FOOD GRADE (H1 RATED) ANTISEIZE THRD COM	0.005 EA
MJ1000A02	GREASE, MOBIL POLYREX EM - 124047	0.050 LB
WD5603A01	KIT, CLOSED-END LEAD SPLICE (18-14GA)	1.000 EA
HA3100FS25	THRUBOLT, 10-32 X 9.500 SS FOOD SAFE	4.000 EA
36PA1000	PKG GRP, PRINT PK1016A06	1.000 EA
MN416A01	TAG-INSTAL-MAINT no wire (1200/bx) 3/19	1.000 EA
HA5027A07	85XU1208S08 FACE DRAIN PINS BAGGED	1.000 EA
FE-0000001	ZRTG FE ASSEMBLY	1.000 EA
PE-0000002	ZRTG PE ASSEMBLY	1.000 EA

**AC Induction Motor Performance Data**

Record # 38267 - Typical performance - not guaranteed values

<b>Winding:</b> 35WGN468-R001	<b>Type:</b> 3522M	<b>Enclosure:</b> TENV
-------------------------------	--------------------	------------------------

Nameplate Data				460 V, 60 Hz: High Voltage Connection	
Rated Output (HP)	.5			Full Load Torque	2.14 LB-FT
Volts	208-230/460			Start Configuration	direct on line
Full Load Amps	1.85-1.8/.9			Breakdown Torque	7.12 LB-FT
R.P.M.	1155			Pull-up Torque	4.69 LB-FT
Hz	60	Phase	3	Locked-rotor Torque	4.83 LB-FT
NEMA Design Code	B	KVA Code	J	Starting Current	4.93 A
Service Factor (S.F.)	1.15			No-load Current	0.635 A
NEMA Nom. Eff.	77	Power Factor	63	Line-line Res. @ 25°C	36.992 Ω
Rating - Duty	40C AMB-CONT			Temp. Rise @ Rated Load	72°C
S.F. Amps				Temp. Rise @ S.F. Load	86°C
				Locked-rotor Power Factor	45
				Rotor inertia	0.131 LB-FT <sup>2</sup>

Load Characteristics 460 V, 60 Hz, 0.5 HP

% of Rated Load	25	50	75	100	125	150	S.F.
Power Factor	24	40	54	63	70	74	67
Efficiency	55.5	71.7	76.6	77.3	76.5	74.3	76.8
Speed	1192.3	1182.4	1170.4	1157.4	1141.8	1123.1	1148
Line amperes	0.652	0.71	0.792	0.906	1.05	1.22	0.992

Performance Graph at 460V, 60Hz, 0.5HP Typical performance - Not guaranteed values

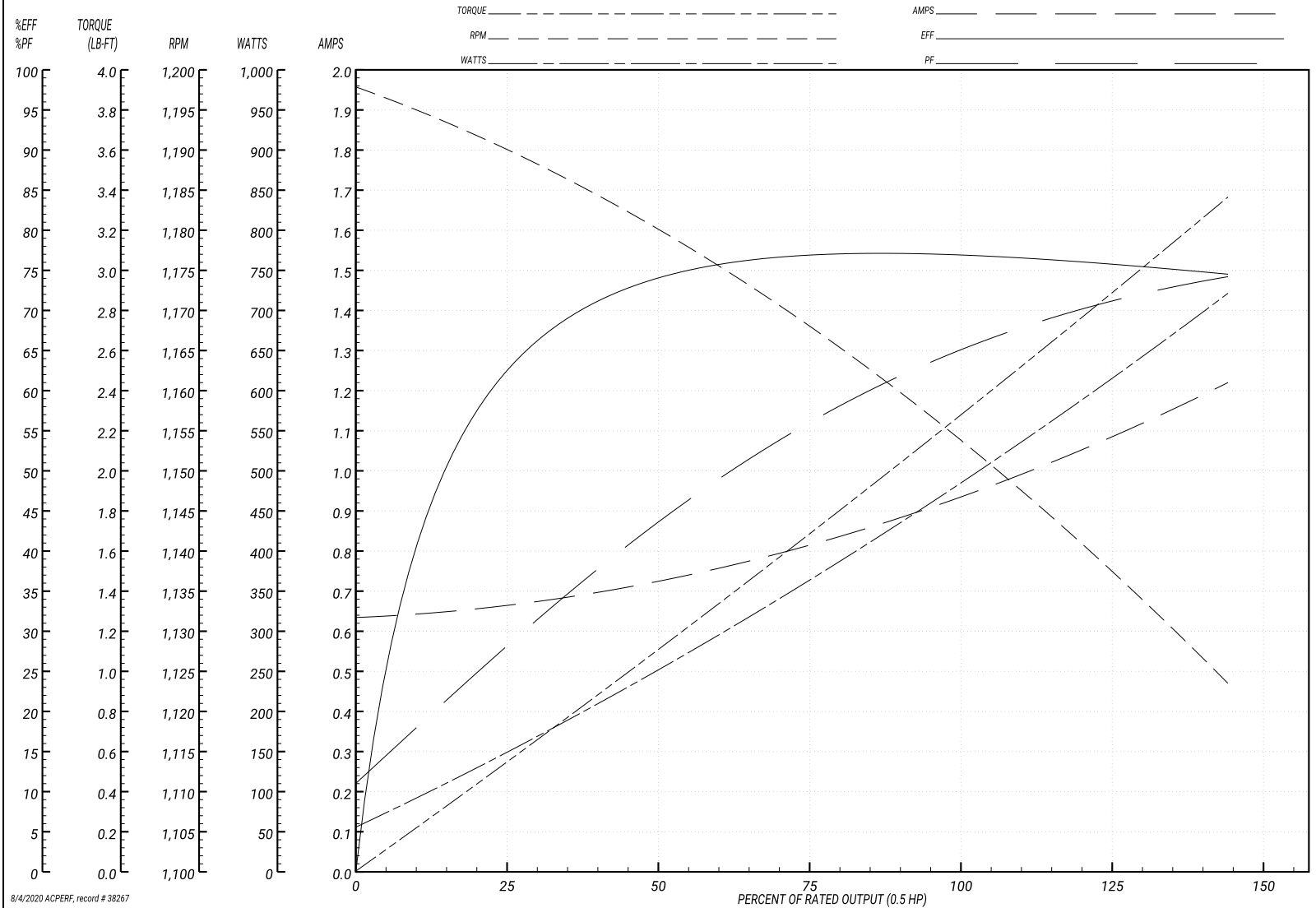
ABB Motors and Mechanical Inc.

WINDING # 35WGN468

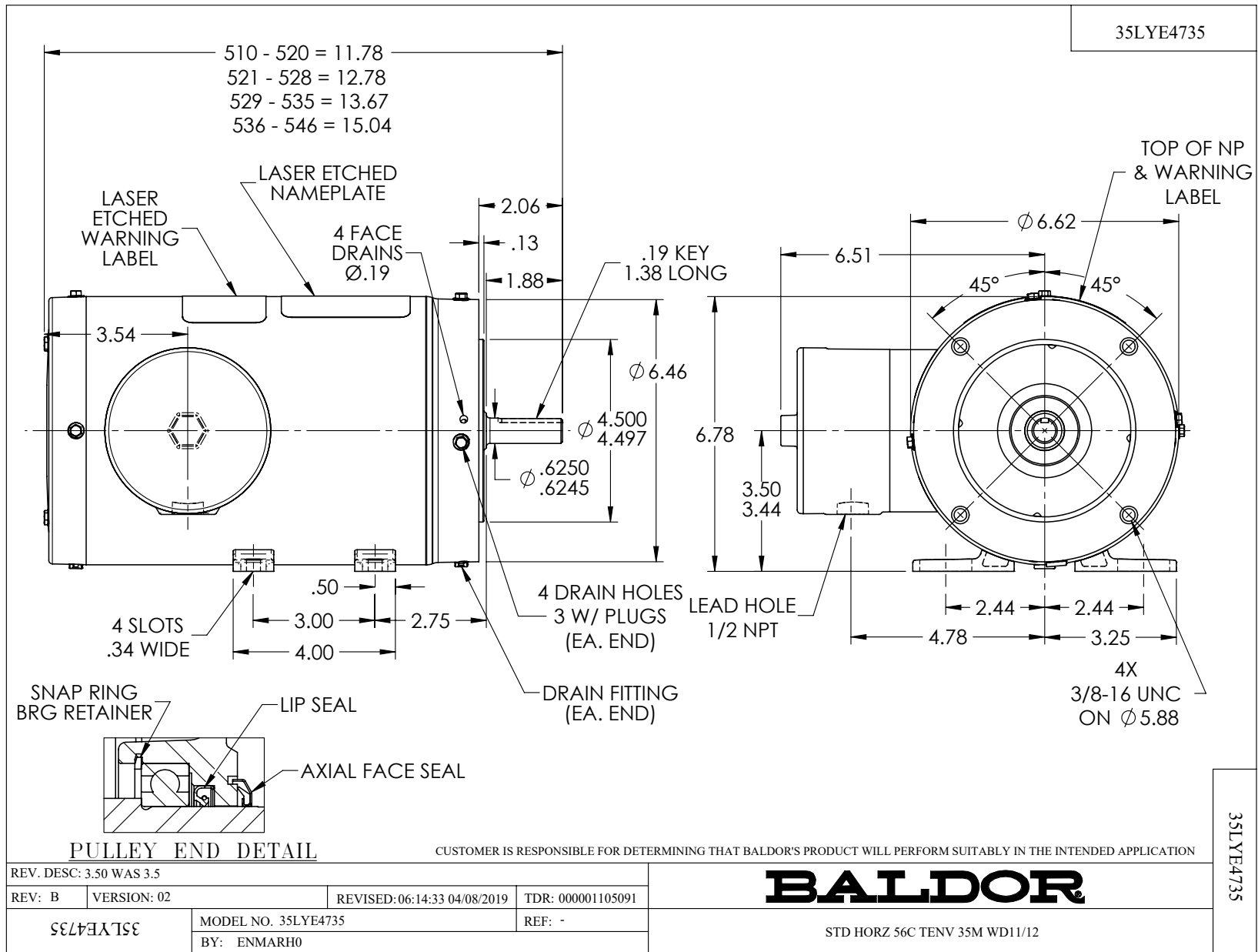
Typical performance - not guaranteed values.

0.5 HP 3 PH 60 HZ 1155 RPM 460 V 3522M

TORQUES(LB-FT): PO=7.12 PU=4.69 LR=4.83 LRA=4.93



8/4/2020 ACPERF, record # 38267



CD0005



LOW VOLTAGE  
(2Y)



LINE

HIGH VOLTAGE  
(1Y)



LINE

NOTES:

1. INTERCHANGE ANY TWO LINE LEADS TO REVERSE ROTATION.
2. OPTIONAL THERMOSTATS ARE PROVIDED WHEN SPECIFIED.
3. ACTUAL NUMBER OF INTERNAL PARALLEL CIRCUITS MAY BE A MULTIPLE OF THOSE SHOWN ABOVE.
4. LEAD COLORS ARE OPTIONAL. LEADS MUST ALWAYS BE NUMBERED AS SHOWN.

REV. DESC: REVISE TO SHOW OPTIONAL COLORS

REV. LTR: E BY: JLP

REVISED: 01/19/99 10:15

TDR: 0171435

90000

FILE: AAA00005140

MDL: -

MTL: -

**BALDOR ELECTRIC Co.**

3PH, DV, 9 LEADS

CD0005